

WMZ energy metering module

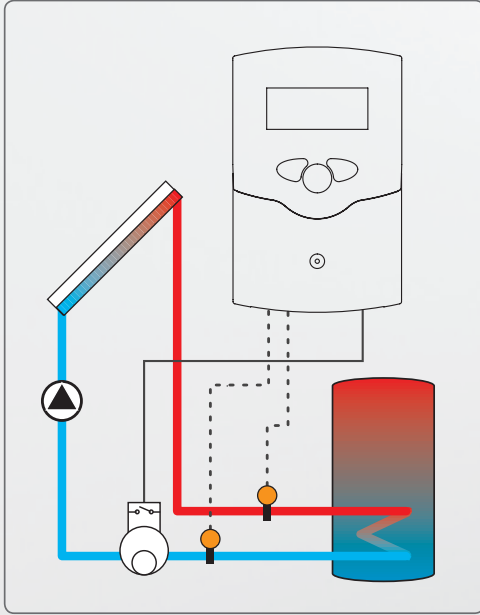
– with imperial units



- ✓ Precise energy metering
- ✓ Inputs for 2 Pt1000 temperature sensors and 1 V40 flowmeter
- ✓ Energy, temperature and flow rate displays with imperial units
- ✓ Commissioning menu for easy configuration
- ✓ Available for different voltages

Universal energy metering module for solar and heating systems. Graphic display for indication of flow and return temperatures, energy yield output, flow rate and errors (balances are also stored in the case of a power failure). Suited for systems with water/ glycol mixtures of 0 ... 70 Vol %.

WMZ energy metering module



Example

RESOL WMZ - full kit

Energy metering module incl. 2 Pt1000 temperature sensors (2 × FRP45) and V40-0.6 flowmeter

Article no.: 135 304 17

as above, but with V40-1.5 flowmeter

Article no.: 135 304 27

as above, but with V40-2.5 flowmeter

Article no.: 135 304 37

as above, but with V40-3.5 flowmeter

Article no.: 135 305 07

as above, but with V40-6.0 flowmeter

Article no.: 135 305 17

as above, but with V40-10 flowmeter

Article no.: 135 305 27

as above, but with V40-15 flowmeter

Article no.: 135 305 37

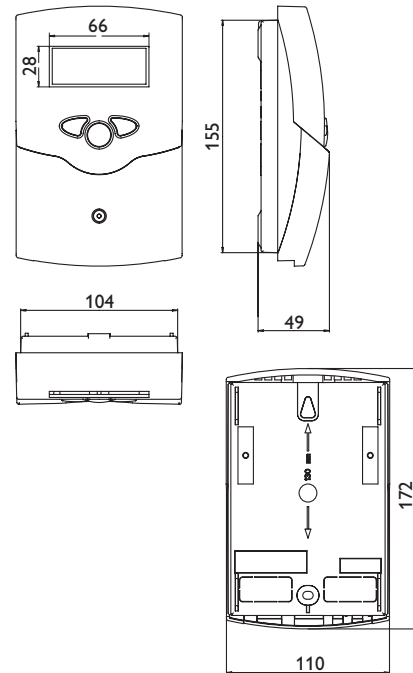
NPT threads!

RESOL WMZ

Energy metering module

Article no.: 135 303 57

Technical data



The device can be branded with your own logo. Please contact our sales team.

Inputs: 2 inputs for Pt1000 temperature sensors, 1 V40

Measurement precision: $\pm 0.3 \text{ K}$ [0.6°Ra]

Range of measurement: $-22 \dots +302^\circ \text{F}$ [$-30 \dots +150^\circ \text{C}$]

Power supply: 115 V~

Supply connection: type Y attachment

Power consumption: ca. 2 VA

Data interface: RESOL VBus®

VBus® current supply: 35 mA

Housing: plastic, PC-ABS and PMMA

Mounting: wall mounting, mounting into patch panels is possible

Display: graphic display as well as bicolored LED

Operation: 3 push buttons in the front

Protection type: IP 20 / DIN EN 60529

Protection class: II

Ambient temperature: $32 \dots 104^\circ \text{F}$ [$0 \dots 40^\circ \text{C}$]

Degree of pollution: 2

Dimensions: $6.8'' \times 4.3'' \times 1.9''$ [$172 \times 110 \times 46 \text{ mm}$]

Available in 12 V and 24 V versions with UL-listed power supply adapter and in a 230V version as well.