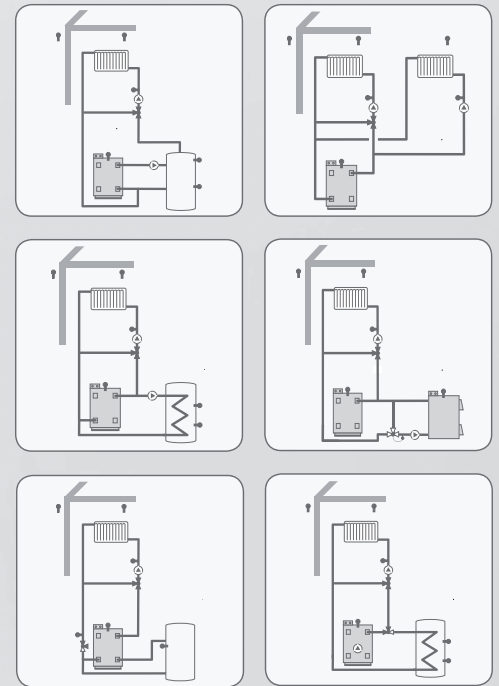


HC Heating controller

Heat upon request



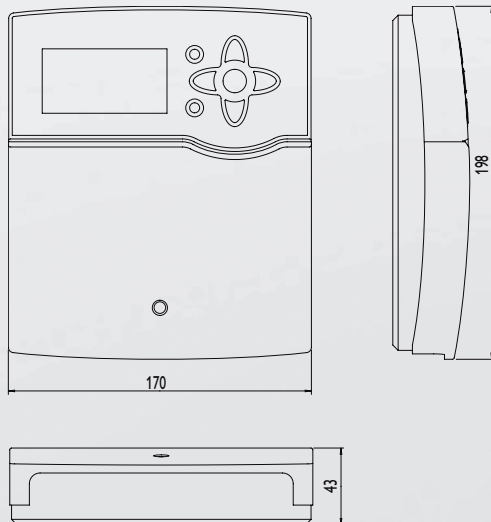
With screed drying function!

The heating controller can control a weather-compensated heating circuit, the DHW loading and the afterheating demand for both. With up to five extension modules, further heating circuits, additional DHW functions such as a circulation or a thermal disinfection, and the efficient implementation of further heat sources can be controlled.

Due to the flexible application and extension possibilities, the heating controller is also ideal for larger objects such as apartment houses, residential homes and industrial buildings.

- ✓ 9 pre-configured basic systems
- ✓ Pre-programmed optional functions
- ✓ Up to 5 EM extension modules can be connected via the RESOL VBus® (39 sensors and 30 relays in total)
- ✓ 2 inputs for Grundfos Direct Sensors™
- ✓ Up to 6 mixed heating circuits with extension modules
- ✓ Data logging, storing and firmware updates via SD memory card

Technical data



Inputs: 8 (9) inputs for Pt500, Pt1000 or KTY temperature sensors, 1 V40 impulse input, inputs for 2 digital Grundfos Direct Sensors™, 1 input for a CS10 irradiation sensor

Outputs: 4 semiconductor relays, 1 potential-free relay, 2 PWM outputs

Switching capacity:

1 (1) A 240 V~ (semiconductor relay)
4 (1) A 240 V~ (potential-free relay)
4 (1) A 24 V== (potential-free relay)

Total switching capacity: 4 A 240 V~

Power supply: 100 ... 240 V~ (50 ... 60 Hz)

Supply connection: type y attachment

Power consumption: < 1 W (standby)

Mode of operation: type 1.B.C.Y action

Rated impulse voltage: 2.5 kV

Data interface: RESOL VBus®, SD card slot

VBus® current supply: 60 mA

Functions: screed drying, weather-compensated heating circuit control, afterheating, DHW heating with priority logic, circulation, thermal disinfection, heat quantity measurement, optional functions such as solid fuel boiler, return preheating, etc.

Housing: plastic, PC-ABS and PMMA

Mounting: wall mounting, mounting into patch panels is possible

Indication/Display: full graphic display, control lamp (directional pad) and background illumination

Operation: 7 push buttons at the front

Ingress protection: IP 20/EN 60529

Protection class: I

Ambient temperature: 0 ... 40 °C

Pollution degree: 2

Dimensions: 198 x 170 x 43 mm

Accessories



EM extension module

The EM extension module provides 5 additional relay outputs and 6 additional sensor inputs. Up to 5 extension modules can be connected to the HC Heating controller via the VBus®.

RESOL EM

Article no.: **145 440 80**



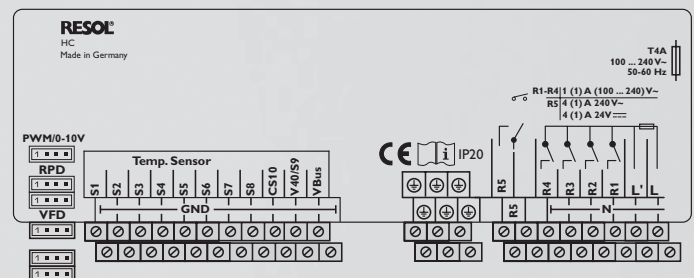
DL3 Datalogger

Be it solar thermal, heating or DHW heat exchange controllers – with the DL3, you can easily and conveniently log system data of up to 6 controllers. Get a comprehensive overview of all controllers connected with the large full graphic display. Transfer data with an SD memory card or use the LAN interface to view and process data on your PC.

RESOL DL3

Article no.: **180 009 90**

Electrical connection



RESOL HC Heating controller

Controller for DHW and heating systems

Price bracket A **Article no.: 115 002 53**

RESOL HC Heating controller – full kit

Controller for DHW and heating systems

incl. 5 Pt1000 temperature sensors (1 x FAP13, 1 x FRP21, 3 x FRP6)

Price bracket A **Article no.: 115 002 63**

Do you have any further questions? We have the answers:

RESOL – Elektronische Regelungen GmbH

Heiskampstraße 10 • 45527 Hattingen • Germany

Tel.: +49 (0) 2324 9648 - 0 • Fax: +49 (0) 2324 9648 - 755 • E-mail: info@resol.com